



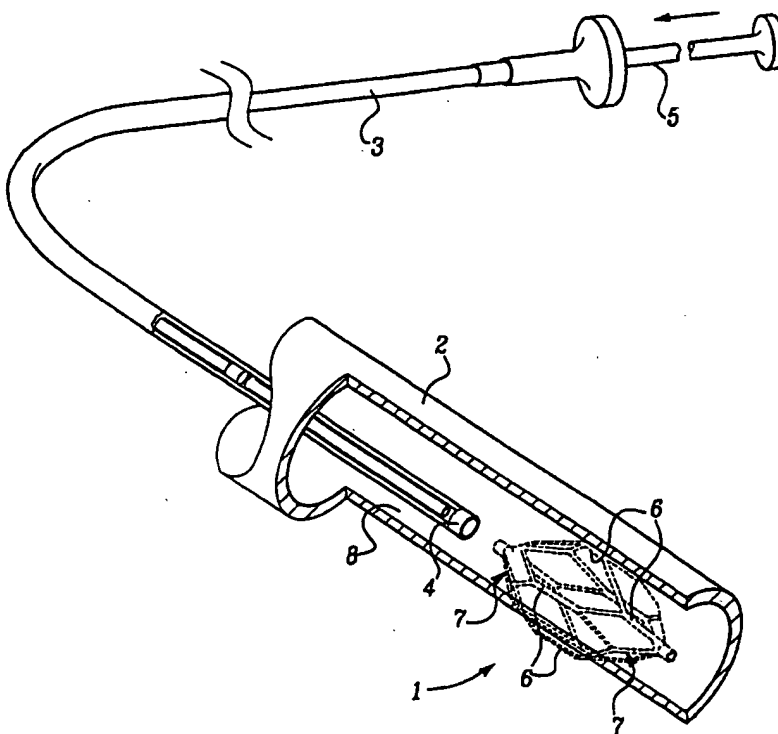
INTERNATIONAL APPLICATION PUBLISHED UNDER THE PATENT COOPERATION TREATY (PCT)

(51) International Patent Classification ⁶ : A61B 17/00	A1	(11) International Publication Number: WO 99/25252 (43) International Publication Date: 27 May 1999 (27.05.99)
<p>(21) International Application Number: PCT/US98/24305</p> <p>(22) International Filing Date: 13 November 1998 (13.11.98)</p> <p>(30) Priority Data: 1007584 19 November 1997 (19.11.97) NL</p> <p>(71) Applicant (for all designated States except US): CORDIS CORPORATION [US/US]; 14201 N.W. 60th Avenue, Miami Lakes, FL 33014 (US).</p> <p>(71)(72) Applicants and Inventors: BOSMA, Gjalt [NL/NL]; Dr. Siebingasingel 37, NL-9218 PV Opeinde (NL). BREEDVELD, Hendrik, G. [NL/NL]; Wimpel 69, NL-9733 BL Groningen (NL).</p> <p>(74) Agent: MONTGOMERY, Michael, W.; 14201 N.W. 60th Avenue, Miami Lakes, FL 33014 (US).</p>	<p>(81) Designated States: CA, US, European patent (AT, BE, CH, CY, DE, DK, ES, FI, FR, GB, GR, IE, IT, LU, MC, NL, PT, SE).</p> <p>Published <i>With international search report.</i></p>	

(54) Title: VASCULAR FILTER

(57) Abstract

The present invention relates to a vascular filter (1) which can be placed in a blood vessel, and which comprises at least one passage with a circumference suitable for the purpose of intercepting thrombus, wherein the filter (1) comprises a longitudinal body member (6) with, in a position of use, a circumference corresponding to the internal diameter of the blood vessel transverse to the longitudinal direction thereof. The invention also relates to a method for manufacturing vascular filter (1).



FOR THE PURPOSES OF INFORMATION ONLY

Codes used to identify States party to the PCT on the front pages of pamphlets publishing international applications under the PCT.

AL	Albania	ES	Spain	LS	Lesotho	SI	Slovenia
AM	Armenia	FI	Finland	LT	Lithuania	SK	Slovakia
AT	Austria	FR	France	LU	Luxembourg	SN	Senegal
AU	Australia	GA	Gabon	LV	Larvia	SZ	Swaziland
AZ	Azerbaijan	GB	United Kingdom	MC	Monaco	TD	Chad
BA	Bosnia and Herzegovina	GE	Georgia	MD	Republic of Moldova	TG	Togo
BB	Barbados	GH	Ghana	MG	Madagascar	TJ	Tajikistan
BE	Belgium	GN	Guinea	MK	The former Yugoslav Republic of Macedonia	TM	Turkmenistan
BF	Burkina Faso	GR	Greece	ML	Mali	TR	Turkey
BG	Bulgaria	HU	Hungary	MN	Mongolia	TT	Trinidad and Tobago
BJ	Benin	IE	Ireland	MR	Mauritania	UA	Ukraine
BR	Brazil	IL	Israel	MW	Malawi	UG	Uganda
BY	Belarus	IS	Iceland	MX	Mexico	US	United States of America
CA	Canada	IT	Italy	NE	Niger	UZ	Uzbekistan
CF	Central African Republic	JP	Japan	NL	Netherlands	VN	Viet Nam
CG	Congo	KE	Kenya	NO	Norway	YU	Yugoslavia
CH	Switzerland	KG	Kyrgyzstan	NZ	New Zealand	ZW	Zimbabwe
CI	Côte d'Ivoire	KP	Democratic People's Republic of Korea	PL	Poland		
CM	Cameroon	KR	Republic of Korea	PT	Portugal		
CN	China	KZ	Kazakstan	RO	Romania		
CU	Cuba	LC	Saint Lucia	RU	Russian Federation		
CZ	Czech Republic	LI	Liechtenstein	SD	Sudan		
DE	Germany	LK	Sri Lanka	SE	Sweden		
DK	Denmark	LR	Liberia	SG	Singapore		
EE	Estonia						

VASCULAR FILTER

BACKGROUND AND SUMMARY OF THE INVENTION

1. Technical Background:

The present invention relates to a vascular filter which can be temporarily placed inside a blood vessel for the purpose of intercepting thrombus.

2. Discussion:

Some basic types of vascular filters are generally known, wherein a single filter element or member extends substantially transverse to the direction of flow inside the blood vessel, and is wedged against the blood vessel wall due to the fact that it has a dimension slightly larger than the inside diameter of the blood vessel. Vascular filters may often be used in the vena cava, and may be described in such event as a "vena cava filter."

Known vascular filters may have some disadvantages, some of which may relate to their reliability. As such, known vascular filters may consist of a network of interconnected ribs, which extend substantially in a radial direction in relation to the blood vessel. Unfortunately, the entire filter may shift position if one of the ribs breaks. In addition, the free ends of the ribs, which are positioned under a certain pressure against the internal wall of the blood vessel, may cause trauma to the vessel wall, or may become embedded in it which may involve risk for the patient.

Another disadvantage of known vascular filters may be a possibility of shifting position in the blood flow inside the blood vessel, even when the filter maintains its proper shape, if a known vascular filter may have been incorrectly placed in a portion of the blood

vessel which is too wide. In such an event, a vascular filter may not grab sufficient hold on the internal wall of the blood vessel.

Accordingly, an object of the present invention is to provide a vascular filter for delivery through a catheter in a compressed shape, where it tends to resiliently expand within the blood vessel. The vascular filter tends to trap thrombus or particles, and resist their movement further downstream. The filter includes, in a position of use, a circumference corresponding to the internal diameter of the blood vessel transverse to the longitudinal direction hereof.

With a vascular filter according to the present invention, the tubular section tends to wedge itself in place within the blood vessel, exerting pressure locally, along a large section of contact area, on the wall of the blood vessel. Accordingly, the filter tends to exert pressure on the internal wall of the blood vessel which could result in perforation of the blood vessel, but tends to hold itself in place. The vascular filter will consequently tend not to shift position.

In addition, the vascular filter according to the present invention cannot rotate transversely or tilt over, which is another important advantage of the present invention. In a preferred embodiment, a vascular filter according to the present invention has preferably been formed out of one single piece, which provides advantages, including simplicity.

In another preferred embodiment, a vascular filter according to the present invention includes a first and second filter section, arranged on either side of a body member. The body member and the filter sections thus enclose a space. Due to the elongated shape of the vascular filter according to the present invention, and the arranging of the first and second section on either side of the body member, the present filter has an enhanced filtering effect. In other words, two opportunities have been created for intercepting thrombus moving inside

the blood vessel. The position of the filter inside the vena cava or another the blood vessel is therefore not dependent on the route along which it has been introduced, as a result of which the physician concerned has more freedom when choosing a route for introducing the vascular filter.

Another embodiment of the vena cava filter according to the present invention incorporates the feature that, when seen in an axial direction, the passage has the shape of a regular polygon, and provides several smaller filtering "cells". The purpose of these filtering cells is to intercept thrombus moving inside the blood vessel.

The filter sections, as arranged according to an embodiment described above on either side of the tubular body section, are preferably identical in shape, thereby enhancing the simplicity of the vascular filter according to the present invention.

A vascular filter may have been made of a braiding of wire-like elements, or a single plate-like element having a series of cuts at places corresponding to the positions of passages, or a tubular element also having a series of cuts at places corresponding to the positions of passages. It is thus preferably possible to effect under the influence of heat at least deformation of the material and possibly expansion of the vascular filter, which may be made in one of three ways mentioned, to obtain the ultimate shape and in particular the circumference hereof. Possible junctions are preferably effected by melting or welding free ends together, or by employing such a cutting pattern that the basic shape of the vascular filter according to the present invention is obtained. In addition, an advantage of the filter made of a tubular body is that it can be reduced to the dimensions of the tubular body, which dimensions may be very small, so that also the dimensions of the catheter required to introduce the filter may be very small.

It should be noted that the present invention also relates to methods for manufacturing vascular filters as described herein.

These and various other objects, advantages and features of the invention will become apparent from the following description and claims, when considered in conjunction with the appended drawings.

The invention will be explained in greater detail below with reference to the attached drawings of a number of examples of embodiments hereof.

BRIEF DESCRIPTION OF THE DRAWINGS

Figure 1 shows a perspective view of a vascular filter in a position of use, and also illustrates schematically a manner in which the vascular filter may be placed inside a blood vessel;

Figures 2 and 3 illustrate schematically preferable steps in the manufacturing of a second vascular filter according to the present invention;

Figure 4 shows a perspective view of a vascular filter according to the present invention, prior to being used; and

Figure 5 shows a perspective view of a vascular filter illustrated in Figure 4 when in use;

Figure 6 shows a view of planar element for the manufacturing of a vascular filter according to the present invention;

Figure 7 shows an alternative embodiment for the production of the vascular filter of Figure 6 out of a tubular shape according to the present invention and

Figure 8 shows a perspective view of the vascular filter of Figure 6 according to the present invention;

Figures 9A-9C are detailed views of portions of a vascular filter having hooks or friction members, according to the present invention;

Figure 10 shows a perspective view corresponding to another embodiment of the present invention; and

Figures 11 and 12 A-B show cross-sectional views of the embodiment illustrated in figure 10.

The following description of the preferred embodiments of the present invention is merely illustrative in nature, and as such it does not limit in any way the present invention, its

application, or uses. Numerous modifications may be made by those skilled in the art without departing from the true spirit and scope of the invention.

DETAILED DESCRIPTION OF THE PREFERRED EMBODIMENT

In Figure 1 a vascular filter 1 according to the present invention has been shown. In the situation illustrated here, the vena cava filter 1 has just been introduced into a blood vessel 2 by means of a catheter 3, which is substantially hollow and in which at least one vena cava filter has been arranged, in folded state, in the distal tip 4 hereof. By way of an alternative not illustrated here, it is also possible that the filter is pushed along the entire length of the catheter after the distal end hereof has been advanced to the required position. In this case the filter has preferably been packed in compressed state in transport packaging forming a covering. The vena cava filter is ejected by means of a pushing wire 5 from the distal tip 4 of the catheter 3 and is introduced into the blood vessel where, due to the absence of the spacial limitation effective in the distal tip 4 of the catheter 3, the vena cava filter 1 will expand, under the influence of expansive forces inherent to the material of which the vena cava filter 1 has been made, into the shape illustrated here.

The vena cava filter illustrated here comprises a number of ribs 6 extending in an axial direction in relation to the blood vessel 2 and along the internal wall hereof. These ribs 6 form an elongated body member. On either side of the ribs 6, filters 7 have been arranged each forming a grid shape. Liquid inside the blood vessel can pass through in an unimpeded fashion, but thrombus are intercepted by one of the two filters 7.

A great advantage of this configuration is that it provides two chances at intercepting thrombus moving inside the blood vessel. In addition, due to the shape of the ribs 6, which extend along the internal wall of the blood vessel 2, it is ensured that there are no free ends of

ribs which may damage the internal wall of the blood vessel 2 and possibly cause a trauma. The configuration of the vena cava filter according to the present invention illustrated is consequently designed so as to cause a minimum of damage to the blood vessel inside of which it is arranged. As the filters 7 have been arranged on either side of the ribs 6, a longitudinally symmetrical shape has been obtained. Accordingly, there is no difference as regards to whether the vena cava filter 1 is placed forward or backward inside the blood vessel 2. In other words, the proximal and distal ends of the filter are identical

As has been illustrated here clearly, the grid shape of each of the filters 7 is such that each of the ribs 6 is connected to a number of the components of these filters 7. Furthermore, each of the ribs 6 is connected with both filters 7 on either side. Due to this configuration, even in the event that one of the ribs 6 or a component of one of the filters 7 may possibly break, the filter will tend not to shift position.

In addition, tipping over of both filters 7 has been avoided effectively due to the more or less tubular shape into which the ribs 6 have been arranged, so that positioning of the vena cava filter 1 inside the blood vessel 2 can take place with unprecedented stability and reliability.

In addition, the vena cava filter 1 has been made of a very resilient material, like nitinol, so that following deployment from the distal tip 4 of the catheter, it can expand and will be wedged against the internal wall 8 of the blood vessel 2.

In Figure 2, a plate 9 for a second embodiment of a vena cava filter according to the invention has been illustrated, which has been made of nitinol, and in which cuts 10 have been arranged. The cuts 10 extend alternately from one of the two sides of the plate 9 over a large section of the width of the plate 9, as has been illustrated in figure 2. When manufacturing a vena cava filter according to the present invention the plate 9 may be pulled

apart under the influence of heat and in a deforming manner in such a way that a shape, of which a detail has been illustrated in figure 3, is obtained. Next this drawn out shape illustrated in figure 3 is arranged around a mold with a circular cross section, which mold has not been illustrated here, whereby both the welding strips 11 in figure 2 and the welding strips 12 at the ends 13, each of which has been connected to two ribs 6 as illustrated in figure 3, connect to one another respectively. To this end, the length of the mold (not illustrated here) is such that it corresponds to the length of the ribs 6 in figure 3 and the mould is consequently pill or cigar shaped allowing in particular the welding strips 12 to connect to one another. Next the welding strips 12 are connected to one another and the welding strips 11 are connected to one another by means of heat treatment in order to make these welding strips 11, 12 melt together respectively. Next, employing a method according to the present invention and whilst heating the configuration illustrated in figure 3 which is to be processed into a vena cava filter, of which the welding strips 11, 12 have been melted together respectively, the mould, not illustrated here and preferably made of a pliable material, is expanded in order to deform the material of which the vena cava filter is to be formed in this manner into a shape of which the central section, that is to say, the section corresponding to the ribs 6, has a larger diameter than the tips on either side, that is to say those sections corresponding to the ends 13.

After cooling, the vena cava filter thus formed retains the shape of the expanded (but not illustrated) mold and it will then be possible to fold the vena cava filter according to the present invention thus formed, in order to place it inside the distal tip of a catheter 3 for the purpose of introduction, as has been illustrated in figure 1.

Using nitinol ensures that the filter is very elastic, while it can be folded so as to occupy only a very limited space and expands independently to the diameter of the blood vessel after introducing it in the manner described above with reference to figure 1.

Using the mold ensures deformation of the basic shape of the material of which the vena cava filter is made, whereby elasticity of the vena cava filter thus formed manifests itself in relation to this new basic shape.

In figure 4, a third embodiment of a vena cava 35 filter 15 has been illustrated in the state just prior to introduction into a blood vessel hereof. The vena cava filter 15 has been folded around a guidewire 14, whereby the vena cava filter 15 is freely movable along the guidewire 14. In figure 4, the catheter body itself has not been shown, but it is noted that the vena cava filter remains in the folded state illustrated here due to the space limiting effect exerted by the distal tip of this catheter body, inside of which the vena cava filter 15 is situated in its folded state.

The vena cava filter 15 comprises cuts 16 extending in the longitudinal direction of the vena cava filter 15 between, but not as far as the ends of this vena cava filter. By means of the cuts, strips of material 18 have been defined, as illustrated in figure 5, which is an illustration of the vena cava filter 15 just following ejection from the catheter not illustrated here and its subsequent expansion. These strips 18 correspond to the ribs 6 as illustrated in the figures 1 and 2, but comprise bending lines 17 which have been defined by the shape of the mold which has been used in the manufacturing process of the vena cava filter 15 illustrated here. The strips 18 consequently also form the filters 30 on either side of the filter 15. Those sections of the strips 18 forming the ribs extend in an axial direction and are connected on either side with a filter 30, which is formed between the bending lines 17 and the tips on either side of the vena cava filter 15.

Also in this case, possible breaking of a section of a strip 18 functioning as rib, or breaking of a section functioning as filter 7 cannot result in the vena cava filter shifting position which, in the state illustrated in figure 5, is still arranged over the guidewire 14, which is subsequently to be withdrawn after the correct positioning hereof. As long as the vena cava filter has been provided with more than two strips, the filter will tend not to shift position, due to the breaking of one of the strips; especially in the case of a uniform distribution in radial direction of the strips thus provided this is avoided in an effective manner.

The embodiment of the vena cava filter according to the present invention illustrated here also has the safety advantages of the tendency to prevent any free ends from occurring and damaging the internal wall of a blood vessel, and that these sections of the strips 18 extend as ribs along the internal wall of the blood vessel.

In figure 6, a plate 19 for a fourth embodiment has been illustrated which shows an alternative in relation to the one which has been illustrated in figure 2. Also, this plate 19 includes cuts, although they are arranged in a different pattern to those in the plate illustrated in figure 2.

The plate 19 is arranged around an inflatable or expandable mold (not illustrated), the longitudinal direction of which corresponds to the transverse direction of the plate 19 illustrated in figure 6, and the cross-section of which is circular. The welding strips 21 are connected to one another for instance by means of melting them together. Accordingly, the vena cava filter 22 illustrated in figure 8 is obtained following expansion of the mold while heating the material of which the plate 19 has been made.

After melting the welding strips 21 together, a tubular basic shape is obtained, which has been illustrated in figure 7 and is indicated with reference number 23. In addition, the

basic shape 23 may also be obtained by arranging the pattern of cuts 20, as shown in the basic shape 23 in figure 7, in a tubular element which has been made of nitinol for instance. Thus the step of melting the welding strips 21 in figure 6 together is avoided, thus simplifying the procedure of manufacturing the vena cava filter according to the present invention considerably.

The vena cava filter ultimately formed, as illustrated in figure 8, once again comprises ribs 24, 35 just like the other embodiments of vena cava filters according the present invention illustrated in figure 1 and figure 5. Each of the ribs of the vena cava filter 22 in figure 8 is connected on either side with a number of components of filters 25. The filter thus displaying a grid shape with passages sufficiently large so as not to impede normal flow of liquid through the blood vessel, but small enough to intercept harmful blood clots or thrombus. In doing so, as has been described above, this filtering action occurs at two locations in the vena cava filter 22. In axial view, the passages in the network of the filters 25 display the shape of a diamond, parallelogram or polygon.

Figures 9A-9C illustrate further improvements to enhance the resistance of the vena cava filter against undesired displacement. In figure 9A for instance, a rib 28 of a vena cava filter according to the present invention has been illustrated, which has been provided with hooking elements 26 and 27 pointing in opposite directions. These hooking elements are sufficiently sized and small so that they ensure the proper grip on the internal wall of the blood vessel, but tend not to damage the latter.

In particular, this embodiment can be manufactured advantageously by providing the tubular basic shape shown in figure 7 with additional notches, as illustrated in figure 10 and indicated with number 31. Figure 11 shows a cross-sectional view along the line 11-11 in order to clarify the configuration of the notch 31. In figure 12 it has been illustrated that the

notched sections of the tubular basic shape 23 bend outward during expansion hereof, to extend hooking elements similar to those indicated with number 27 in figures 9A-C. Figure 12A illustrates the situation prior to expansion, and figure 12B the situation immediately following expansion. In figure 12A, arrow A has been used to indicate the relative directions of sections of the basic shape 23 to the left and the right of the notch 31.

The notches 31 also provide attenuations in the material of which the basic shape 23 has been made, as a result of which bending is encouraged to occur at the sites of these attenuations.

In figure 9B, a rib 24 of the vena cava filter illustrated in figure 8 is shown. On each of the ribs 24, a number of hooking elements, pointing in opposite directions, have been arranged, which, for the sake of simplicity, have also been given the numbers 26 and 27, whereby a greater number of hooking elements may obviously increase the frictional resistance mentioned above.

In figure 9C yet another rib 29 is shown, which has been provided with a serrated profile 30, of which the teeth are not arranged in a preset direction but only extend outwards in relation to the vena cava filter, when in use, towards the internal wall of the blood vessel. Also, simple coarsening of the surface of the ribs concerned may suffice.

Each of the embodiments illustrated in the figures 9A-9c aims at increasing the reliability of the anchoring of the filter, so that the vena cava filter according to the present invention will not shift position. Protrusions such as the projections 26 or 27 or the serrated profile 30 are pushed, due to the elasticity and the tendency of the vena cava filter to expand, into the internal wall of a blood vessel. Consequently, resistance against possible displacement under the influence of the flow of fluid or blood through the blood vessel is increased, and as a result the reliability is enhanced.

In the axial view, the filter sections on either side of the ribs of the vena cava filters according to the present invention described above display diamond or polygon shapes. It is also possible to suffice with vena cava filters of which the filter sections display in axial view a star shape (as illustrated in figure 5), or any other shape as long as they intercept blood clots or thrombus successfully. An advantage of this feature is that, after passing the first filter section and the tubular section or the elongated body member, a second chance at interception in the form of an additional filter section has been provided. Also, other shapes of the filter sections in axial view are possible, which shapes will occur to those skilled in the field after reading the present description. The shapes of the filter sections in axial view need not be symmetrical, and may have in principle any suitable appearance.

If it is desirable to be able to remove a vena cava filter introduced into a blood vessel at a later stage, a vena cava filter according to the present invention may be provided on one or both ends with a noose construction in order to extract the vena cava filter back into a catheter, by means of a hook member.

Furthermore, in connection with the method for manufacturing a vena cava filter according to the present invention, the step employing an expandable mold in order to effect the required shape of the vena cava filter has been described each time. It should be noted however, that it is also possible to use a mold which retains its shape, around which in advance sections, deformed under the influence of heat, have been arranged and if desired followed by a step including heating certain sections to such an extent that a vena cava filter, forming one single unit, is manufactured. In this respect one can think of using separate strips, which are arranged around a pill or cigar-shaped mold of the desired shape after heating the latter, in order to connect at least the tips to one another by melting them together. Furthermore, it is not necessary to deform sections of the vena cava filter in advance.

Treatment, for instance heat treatment, only serves to fix the vena cava filter, and in particular sections hereof, in the new shape defined by the mold. This last alternative is particularly suitable for materials which are very elastic, like nitinol.

In addition to the nitinol mentioned so far, many other materials may also be used for manufacturing a vena cava filter according to the present invention. By way of alternative, various metals may for instance be used, in which case it is essential that the vena cava filter assumes the intended shape hereof after having been ejected from the catheter for the purpose of introduction hereof. The vena cava filter, during introduction, is of course kept in a folded state, by means of the catheter. To this end a configuration may be used decompressing the filter metal due to the elastic properties hereof.

Furthermore, retraction of a vena cava filter according to the present invention is mentioned above, which should not limit the scope of the claims attached. Vena cava filters according to the invention may for instance be anchored by means of a cord body, in which case this cord body is arranged at a site which can easily be reached from outside the body of a patient, so that removal can take place with a minimum of effort. As regards the subject of the invention it is therefore of no consequence whether the filter is placed permanently, in a removable manner, temporarily or otherwise.

CLAIMS

What is claimed is:

1. A vascular filter, which can be placed inside a blood vessel and which comprises:

in a radially compressed state, a tubular metal cylinder having a first and second integral cylindrical end collar at a proximal and distal end of the vascular filter; a plurality of ribs arranged in a preselected pattern and extending between the first and second end collar in a direction parallel to a longitudinal axis of the vascular filter;

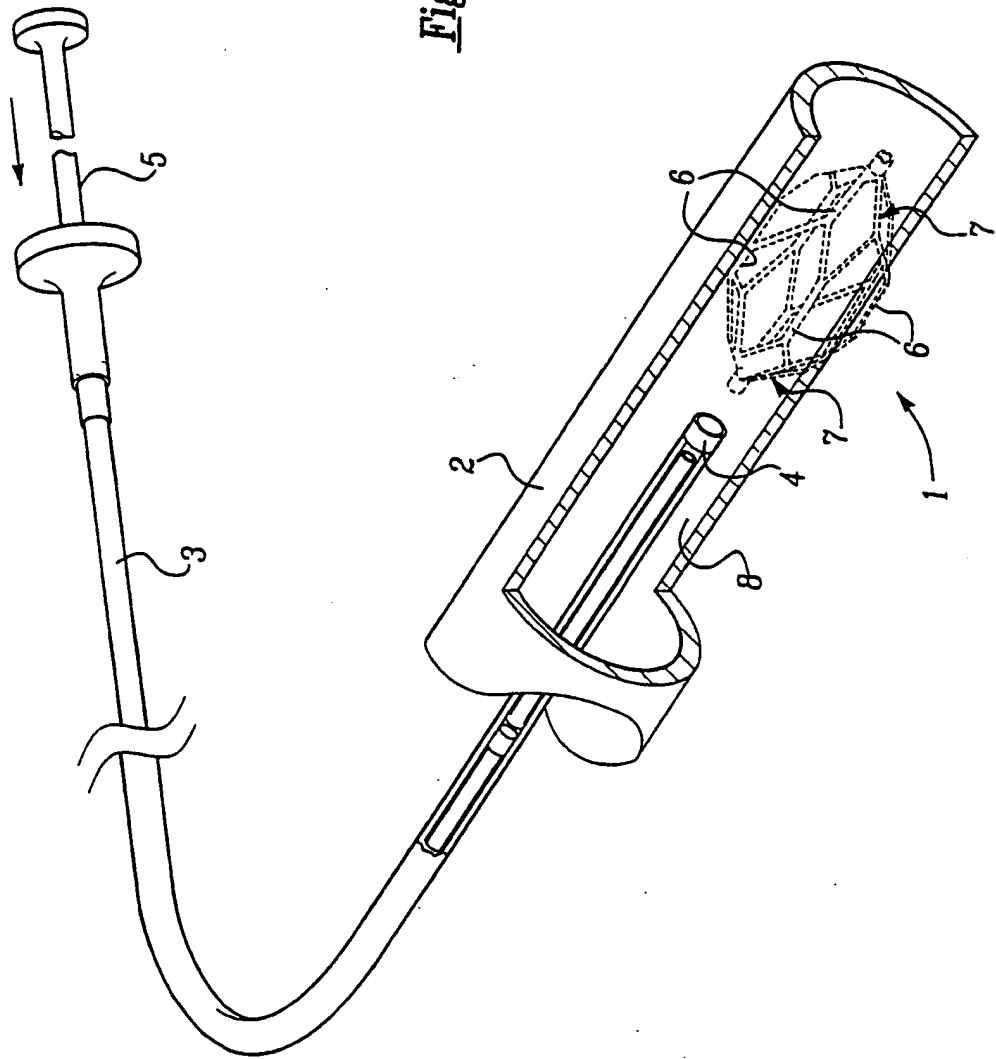
in radially expanded deployed state, the ribs tend to resiliently expand in radial directions, thereby causing the first and second end collars to move toward each other; each of the ribs tending to spread apart, such that the vascular filter defines a plurality of central parallel hexagon shapes arranged adjacently around a central circumference of the vascular filter, each of the ribs defining each hexagon shape extending in a plane parallel to the longitudinal axis of the vascular filter; the vascular filter further defining a first and second end filter portion connecting the central hexagons with the end collars, wherein the end filter portions each define a plurality of diamond shaped sections having four sides; each of the diamond shapes being formed by a first and second rib each forming a portion of a first and second of the central hexagon shapes, and by a first and second conical rib directly connecting an apex of the first and second of the central hexagon shapes with the end collars respectively; the conical ribs all extending along a first and second end cone;

whereby the first and second filter sections enhance the effectiveness of the vascular filter.

2. The vascular filter as claimed in claim 1, characterized in that the construction is such that it has been formed out of one single unitary metal element.

3. The vascular filter as claimed in Claim 1, adapted for use in the vena cava.
4. The vascular filter as claimed in one of the previous claims, characterized by anchors formed on at least one surface of the vascular filter directed outward in a radial direction.
5. A method for manufacturing a vascular filter comprising forming an cylindrical elongated body member out of one single element having a first and second unitary cylindrical end collar, and a plurality of structural ribs formed by a series of longitudinal cuts in the cylindrical body member with, in a position of use, a circumference corresponding to the internal diameter of the blood vessel and having a first and second conical end filter section for collecting and trapping thrombus.

Fig-1



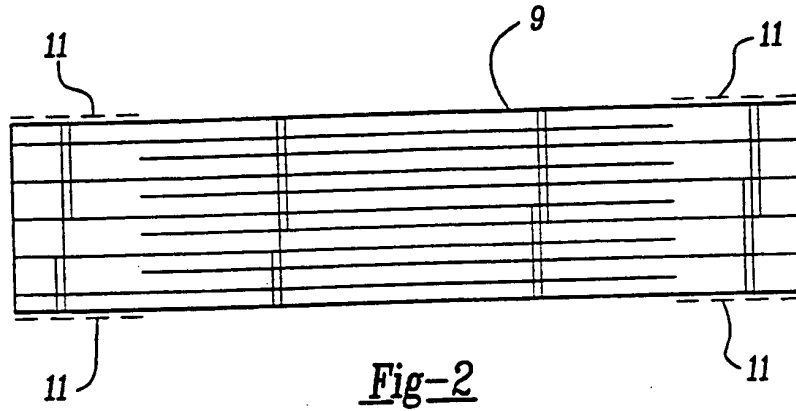


Fig-2

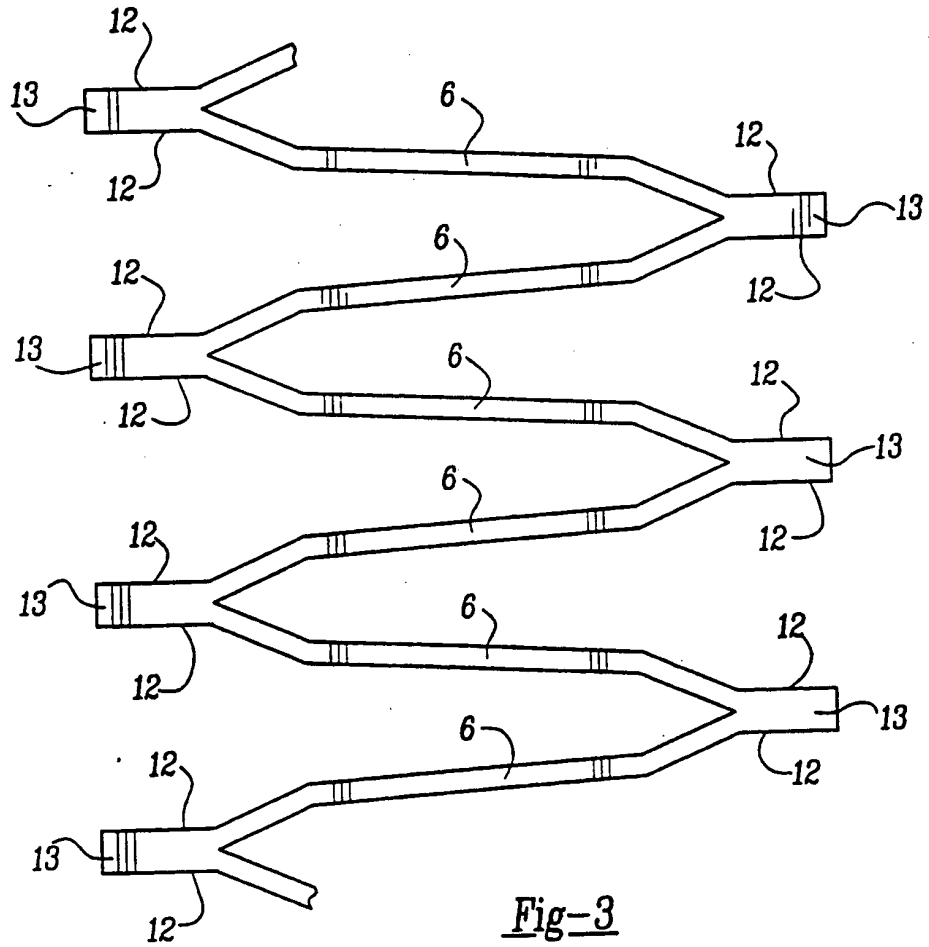


Fig-3

Fig-4

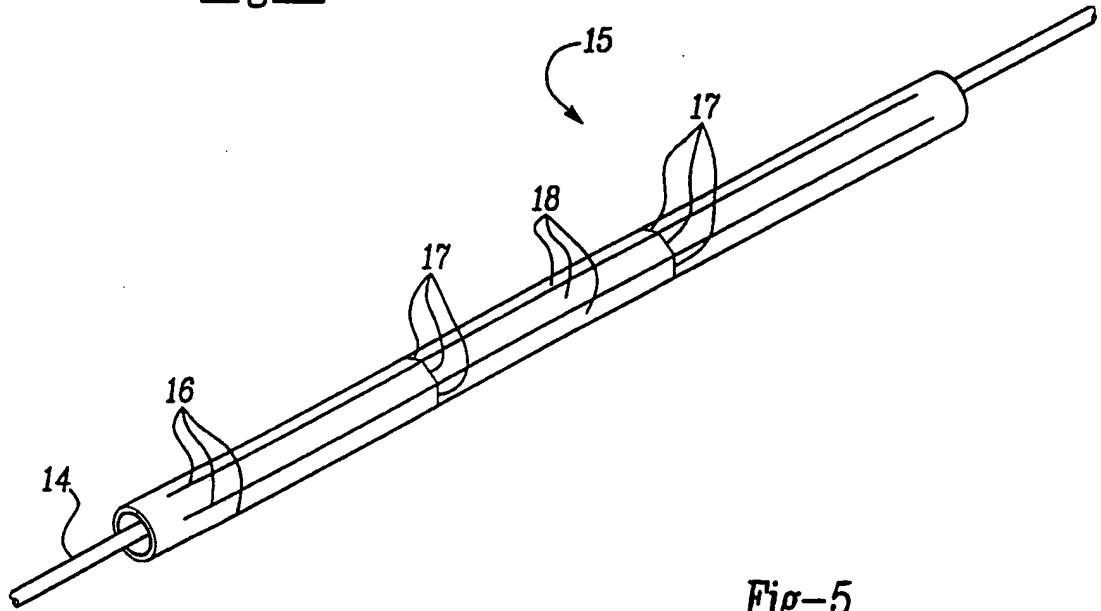
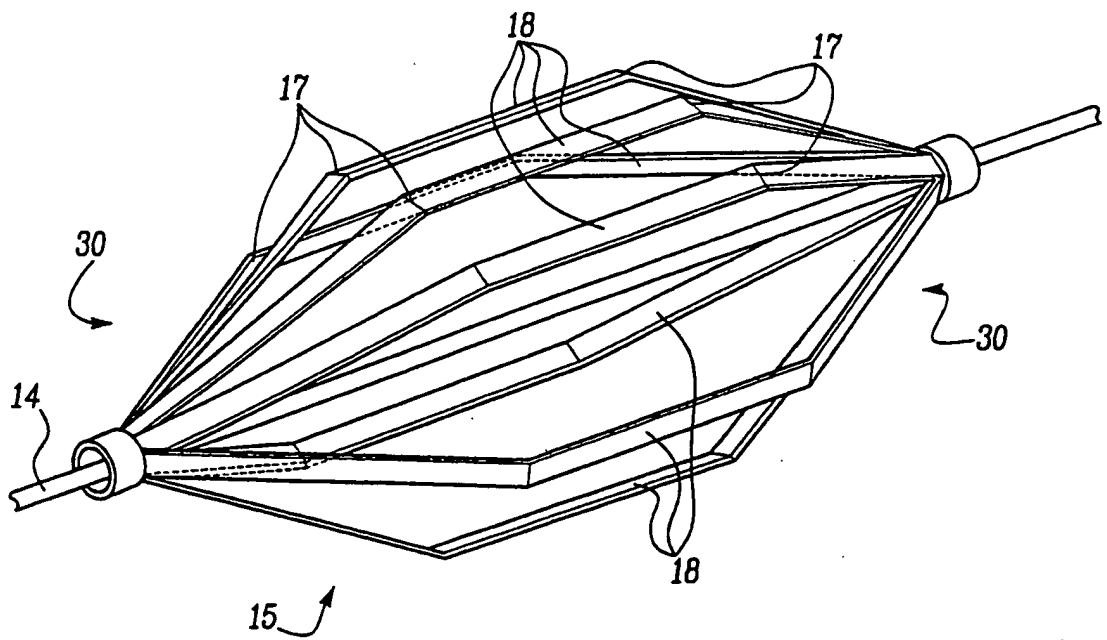


Fig-5



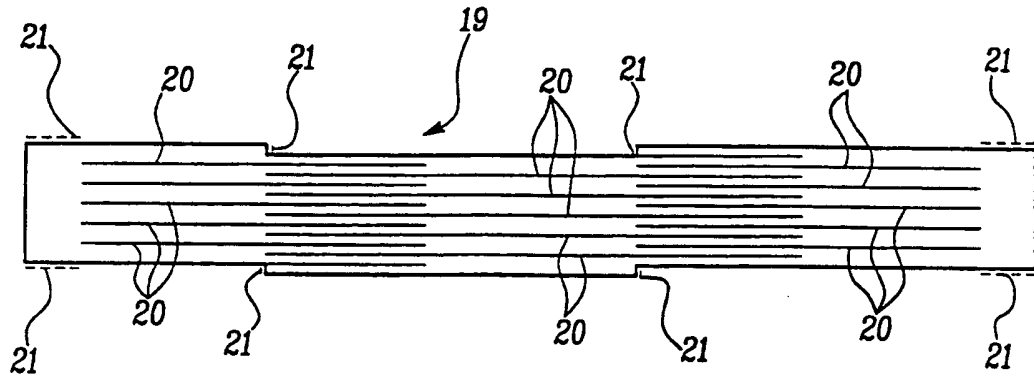


Fig-6

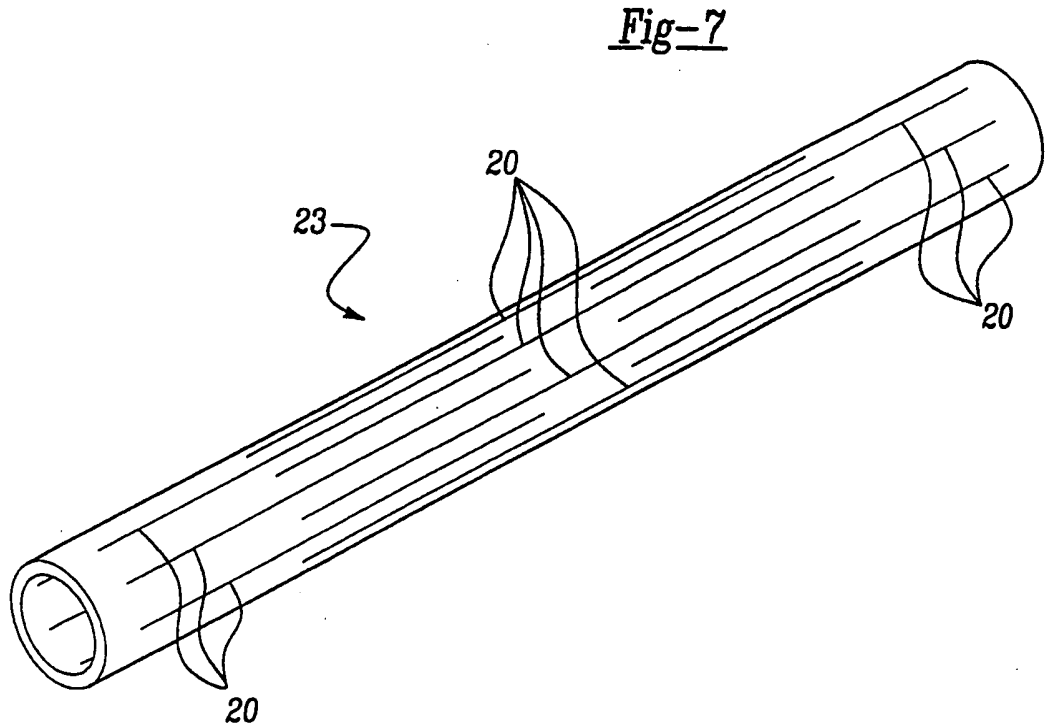
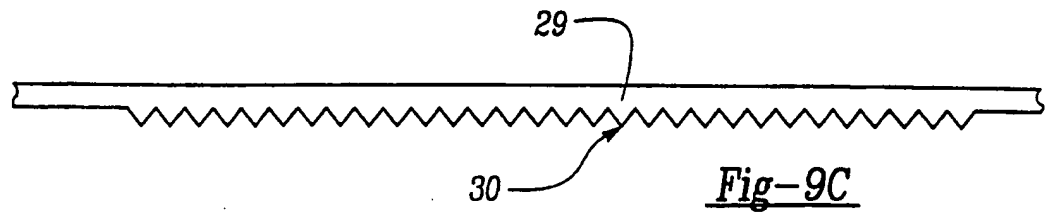
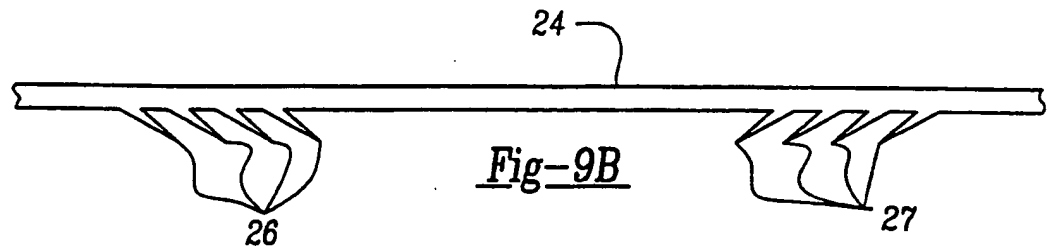
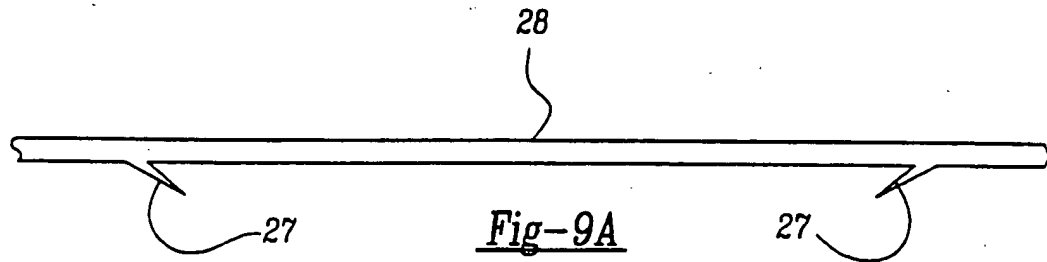
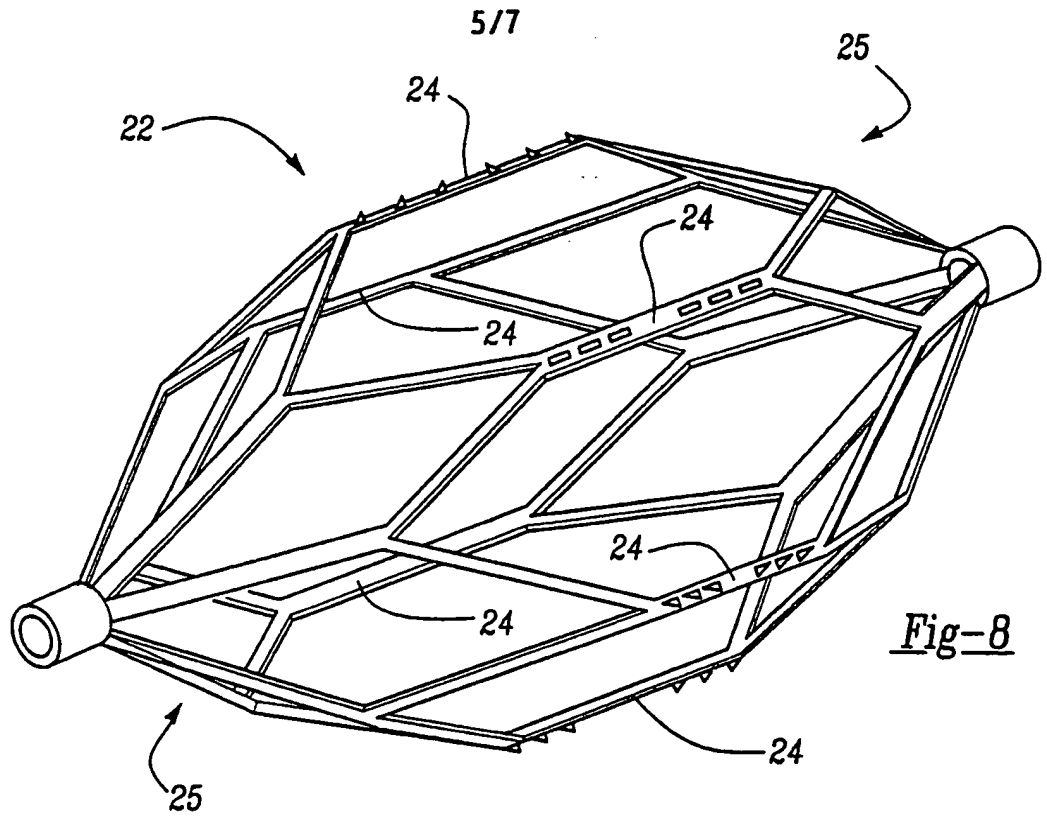


Fig-7



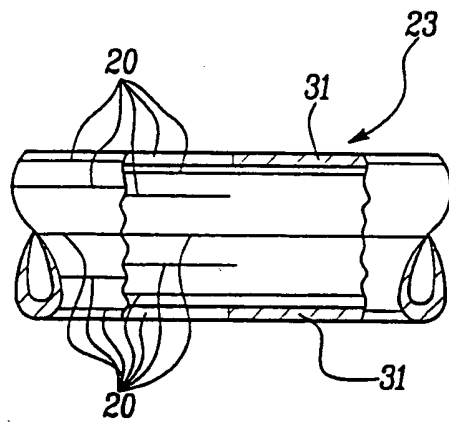
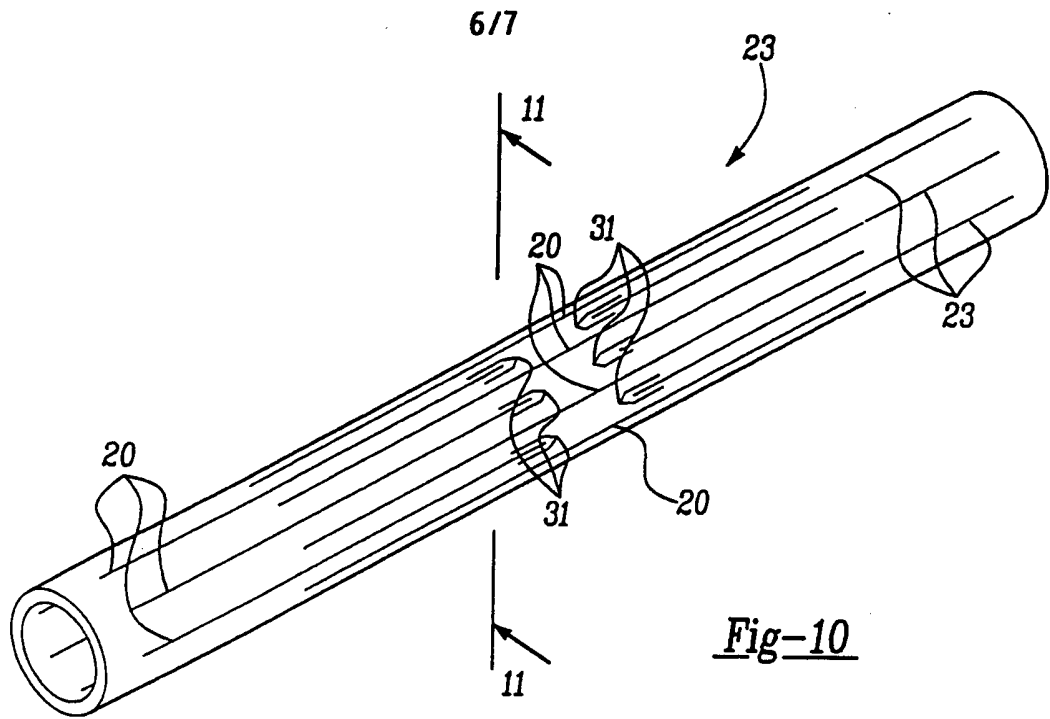
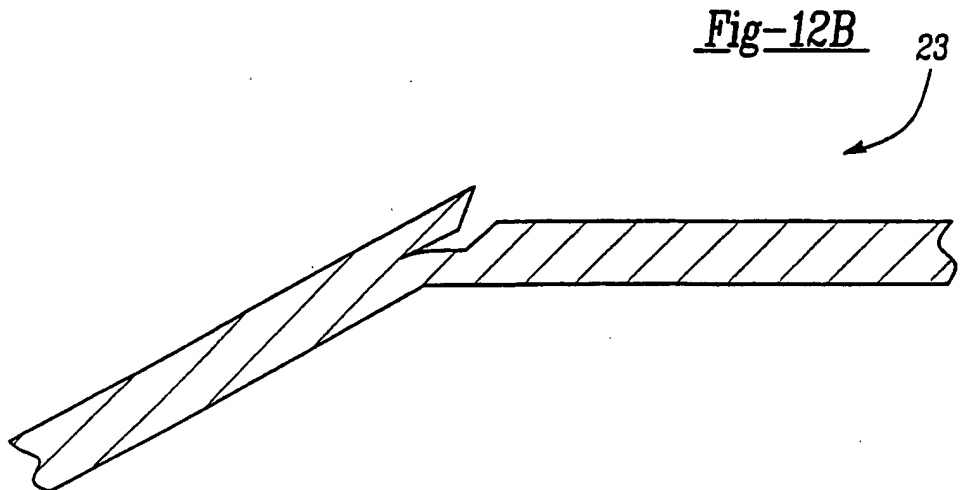
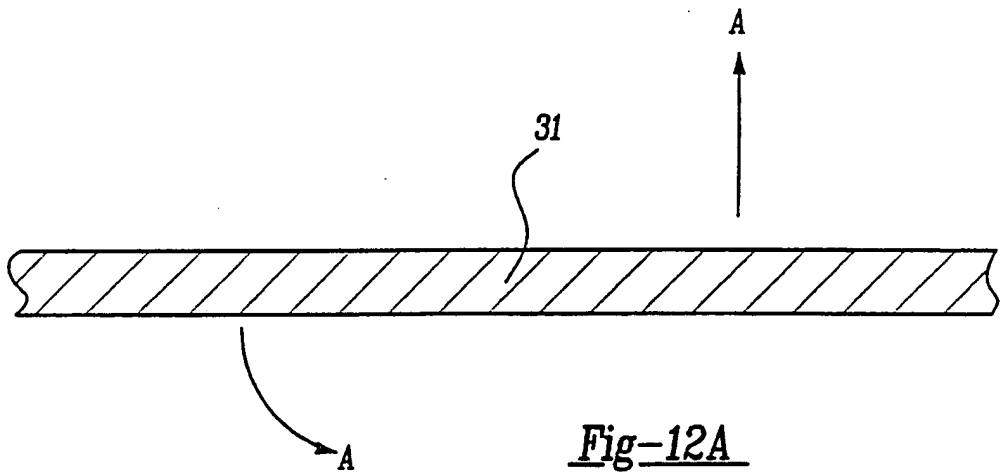


Fig-11



INTERNATIONAL SEARCH REPORT

International application No.
PCT/US98/24305

A. CLASSIFICATION OF SUBJECT MATTER

IPC(6) : A61B 17/00
US CL : 606/200

According to International Patent Classification (IPC) or to both national classification and IPC

B. FIELDS SEARCHED

Minimum documentation searched (classification system followed by classification symbols)

U.S. : 606/200

Documentation searched other than minimum documentation to the extent that such documents are included in the fields searched

Electronic data base consulted during the international search (name of data base and, where practicable, search terms used)

C. DOCUMENTS CONSIDERED TO BE RELEVANT

Category*	Citation of document, with indication, where appropriate, of the relevant passages	Relevant to claim No.
Y	US 5,234,458 A (METAIS) 10 August 1993, entire document.	1-5

 Further documents are listed in the continuation of Box C.
 See patent family annex.

* Special categories of cited documents:	*T* later document published after the international filing date or priority date and not in conflict with the application but cited to understand the principle or theory underlying the invention
A document defining the general state of the art which is not considered to be of particular relevance	*X* document of particular relevance; the claimed invention cannot be considered novel or cannot be considered to involve an inventive step when the document is taken alone
E earlier document published on or after the international filing date	*Y* document of particular relevance; the claimed invention cannot be considered to involve an inventive step when the document is combined with one or more other such documents, such combination being obvious to a person skilled in the art
L document which may throw doubts on priority claim(s) or which is cited to establish the publication date of another citation or other special reason (as specified)	*Z* document member of the same patent family
U document referring to an oral disclosure, use, exhibition or other means	
P document published prior to the international filing date but later than the priority date claimed	

Date of the actual completion of the international search 16 JANUARY 1999	Date of mailing of the international search report 02 FEB 1999
--	--

Name and mailing address of the ISA/US
Commissioner of Patents and Trademarks
Box PCT
Washington, D.C. 20231

Facsimile No. (703) 305-3230

Authorized officer

VIKKI TRINH

Telephone No. (703) 308-8238

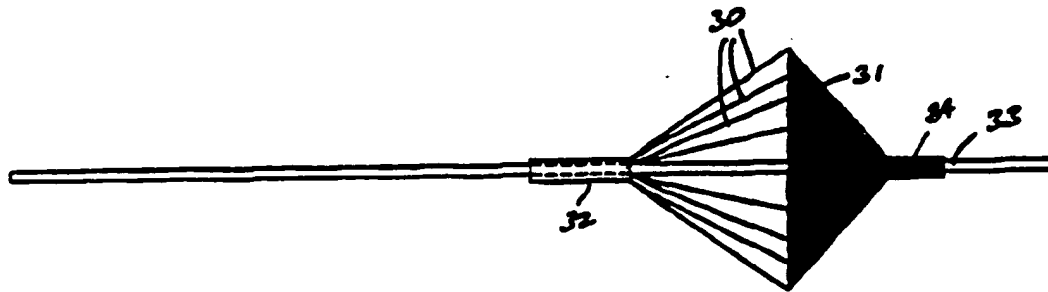


INTERNATIONAL APPLICATION PUBLISHED UNDER THE PATENT COOPERATION TREATY (PCT)

(51) International Patent Classification ⁶ : A61F 2/01	A1	(11) International Publication Number: WO 99/23976
		(43) International Publication Date: 20 May 1999 (20.05.99)

<p>(21) International Application Number: PCT/IE98/00093</p> <p>(22) International Filing Date: 9 November 1998 (09.11.98)</p> <p>(30) Priority Data: 970789 7 November 1997 (07.11.97) IE 980267 8 April 1998 (08.04.98) IE</p> <p>(71) Applicant (for all designated States except US): SALVIAC LIMITED [IE/IE]; 39-40 Upper Mount Street, Dublin 2 (IE).</p> <p>(72) Inventors; and (75) Inventors/Applicants (for US only): GILSON, Paul [IE/IE]; Uggool, Moycullen, County Galway (IE). BRADY, Eamon [IE/IE]; 12 Karol Avenue, Elphin, County Roscommon (IE). VALE, David [IE/IE]; 26 The Stiles Road, Clontarf, Dublin 3 (IE). MAHER, Pdraig [IE/IE]; Ridge Road, Gloster, Birr, County Offaly (IE). TAYLOR, Charles [GB/GB]; Cuckfield Lane, Warminglid, West Sussex RH17 55N (GB).</p> <p>(74) Agents: O'CONNOR, Donal, H. et al.; Cruickshank & Co., 1 Holles Street, Dublin 2 (IE).</p>	<p>(81) Designated States: AL, AM, AT, AU, AZ, BA, BB, BG, BR, BY, CA, CH, CN, CU, CZ, DE, DE (Utility model), DK, DK (Utility model), EE, ES, FI, GB, GE, GH, GM, HR, HU, ID, IL, IS, JP, KE, KG, KP, KR, KZ, LC, LK, LR, LS, LT, LU, LV, MD, MG, MK, MN, MW, MX, NO, NZ, PL, PT, RO, RU, SD, SE, SG, SI, SK, SL, TJ, TM, TR, TT, UA, UG, US, UZ, VN, YU, ZW, ARIPO patent (GH, GM, KE, LS, MW, SD, SZ, UG, ZW). Eurasian patent (AM, AZ, BY, KG, KZ, MD, RU, TJ, TM). European patent (AT, BE, CH, CY, DE, DK, ES, FI, FR, GB, GR, IE, IT, LU, MC, NL, PT, SE), OAPI patent (BF, BJ, CF, CG, CI, CM, GA, GN, GW, ML, MR, NE, SN, TD, TG).</p> <p>Published <i>With international search report.</i> <i>Before the expiration of the time limit for amending the claims and to be republished in the event of the receipt of amendments.</i></p>
---	--

(54) Title: AN EMBOLIC PROTECTION DEVICE



(57) Abstract

An embolic protection device has a collapsible filter element (105) mounted on a carrier such as a guidewire (101). The filter element (105) collapses into the outer end of a catheter (118) for deployment and retrieval through a vascular system of a patient. The filter element (105) has a collapsible filter body with a proximal inlet end and a distal outlet end. The proximal inlet end has inlet openings sized to allow blood and embolic material enter the filter body. The outlet end has outlet openings which allow through passage of blood but retain embolic material within the filter body. After use, the catheter (118) is movable along the guidewire (101) to engage the proximal end of the filter element and close the inlet openings before sliding over the filter element from the proximal end to the distal end to progressively collapse the filter body on the guidewire (101) for retrieval. The filter element (105) may conveniently be mounted on a tubular sleeve (104) which is slidable and rotatable on the guidewire (101) between spaced-apart stops (106, 120) on the guidewire (101) which allows some manipulation of the guidewire independently of the filter when the filter is in use.

FOR THE PURPOSES OF INFORMATION ONLY

Codes used to identify States party to the PCT on the front pages of pamphlets publishing international applications under the PCT.

AL	Albania	ES	Spain	LS	Lesotho	SI	Slovenia
AM	Armenia	FI	Finland	LT	Lithuania	SK	Slovakia
AT	Austria	FR	France	LU	Luxembourg	SN	Senegal
AU	Australia	GA	Gabon	LV	Latvia	SZ	Swaziland
AZ	Azerbaijan	GB	United Kingdom	MC	Monaco	TD	Chad
BA	Bosnia and Herzegovina	GE	Georgia	MD	Republic of Moldova	TG	Togo
BB	Barbados	GH	Ghana	MG	Madagascar	TJ	Tajikistan
BE	Belgium	GN	Guinea	MK	The former Yugoslav Republic of Macedonia	TM	Turkmenistan
BF	Burkina Faso	GR	Greece			TR	Turkey
BG	Bulgaria	HU	Hungary	ML	Mali	TT	Trinidad and Tobago
BJ	Benin	IE	Ireland	MN	Mongolia	UA	Ukraine
BR	Brazil	IL	Israel	MR	Mauritania	UG	Uganda
BY	Belarus	IS	Iceland	MW	Malawi	US	United States of America
CA	Canada	IT	Italy	MX	Mexico	UZ	Uzbekistan
CF	Central African Republic	JP	Japan	NE	Niger	VN	Viet Nam
CG	Congo	KE	Kenya	NL	Netherlands	YU	Yugoslavia
CH	Switzerland	KG	Kyrgyzstan	NO	Norway	ZW	Zimbabwe
CI	Côte d'Ivoire	KP	Democratic People's Republic of Korea	NZ	New Zealand		
CM	Cameroon			PL	Poland		
CN	China	KR	Republic of Korea	PT	Portugal		
CU	Cuba	KZ	Kazakistan	RO	Romania		
CZ	Czech Republic	LC	Saint Lucia	RU	Russian Federation		
DE	Germany	LI	Liechtenstein	SD	Sudan		
DK	Denmark	LK	Sri Lanka	SE	Sweden		
EE	Estonia	LR	Liberia	SG	Singapore		